

## West 4400 1/4 DIN Profiler Controller



The West 4400 is a powerful Programmer, packed with innovative features to control complex processes. Metal treatment and environmental chambers are typical applications for the 4400.

- Free-form programming
- Delayed start
- Auto Hold
- Modbus & ASCII comms
- Program End/Run relay
- Power fail recovery
- Self-tuning algorithms
- PC support software



### Technical Data

#### Features

Control Types  
Auto/Manual  
Output Configuration  
Alarm 1 & 2 Types  
Human Interface  
PC Configuration

#### Profiles

Number of programs  
Auto Hold  
EOP Relay  
Delayed start  
Real Time Clock Option

#### Input

Thermocouple  
RTD  
DC Linear  
Impedance  
Accuracy  
Sampling  
Sensor Break Detection

#### Outputs & Options

Control & Alarm Relays  
Control SSR Outputs  
Control DC Outputs  
Retransmit Outputs  
Event Output Option

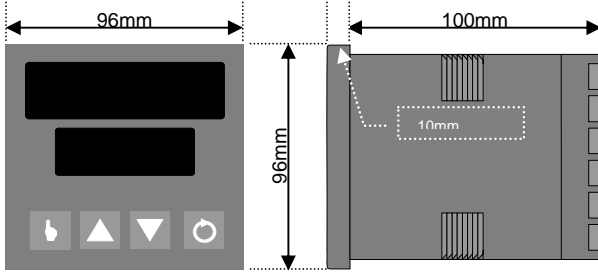
Remote Program Ctrl  
Communications

#### Operating & Environmental

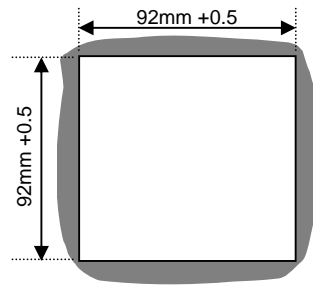
Temperature & RH  
Power Supply  
Front Panel Protection  
Approvals and Certification

Full PID with Pre, Self or Manual Tuning. Heat, Heat & Cool or Valve Motor applications
Selectable from front panel, with bumpless transfer
Up to 3 total. Max 2 for control (Heat & Cool), max 2 for Alarms, max 1 for retransmit PV or SP
Process high, process low, SP deviation, band, logical OR and hysteresis. Also 1 loop alarm
6 buttons, 13mm & 10mm high LED's, 8 digit message display, plus status LED indicators
Off-line configuration, profile editing & tracker, via config socket (comms option not required)
8, each with 16 free-form segments (Ramp/Dwell/Join/Repeat/End). Max seg. length 99 hrs 59 mins
Fully programmable. Holds program if PV is outside of specified hold band.
Fitted as standard. Indicates program running or program ended.
Max 99 hours 59mins delay from initiation to program start
Allows programmed start on specific days, and intelligent power fail recovery
J, K, R, S, T, B, L, & N.
3 Wire PT100, 50Ω per lead maximum (balanced)
0-20/4-20mA, 0-50/10-50mV, 0-5/1-5/0-10/2-10V. Scaleable -1999 to 9999, dec point available
>100MΩ for Thermocouple and mV ranges, 47KΩ for V ranges and 4.7Ω for mA ranges
+/- 0.25% of input span +/- 1 LSD (T/C CJC better than 0.7°C)
4 per second, 14 bit resolution approximately
<2 secs (except zero based DC ranges), control O/P's turn off, *high alarms activate (*low for RTD)
Contacts SPDT 2Amp resistive at 240V AC, >500,000 operations (EOP relay 5A 240V >100,000)
Drive capability >4.3V DC in 250Ω (10V 500Ω version available)
0-20/4-20mA into 500Ω max, 0-10/0-5V into 500Ω min. Accuracy typically +/- 0.5%
0-20/4-20mA into 500Ω max, 0-10/0-5V into 500Ω min. Accuracy typically +/- 0.25%
4 program segment event relays, contacts SPST 5Amp resistive at 240V AC, >100,000 operations
Volt-free/TTL inputs for Run/Hold, Abort, X60 (mins/secs) and program selection.
2 Wire RS485, 1200 to 9600 Baud, West ASCII and Modbus (selectable)
0 to 55°C (-20 to 80°C storage), 20% to 95%RH non-condensing
100 to 240V 50/60Hz 7.5VA (optional 20 to 50V AC 7.5VA/22 to 65V DC 4W)
IEC IP66 (Behind panel protection is IP20)
CE, UL & ULc

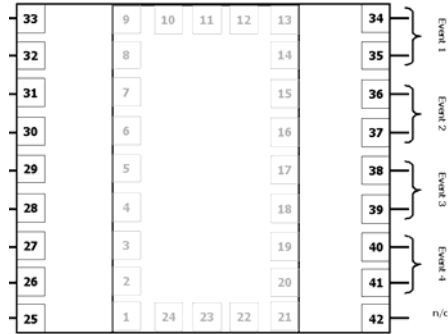
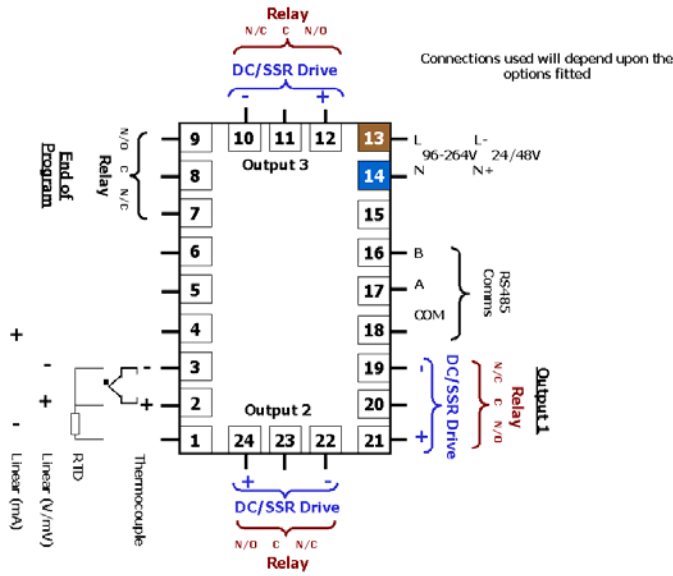
**Dimensions**



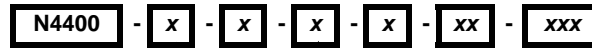
**Cut out**



**Connection Details**



**Order Code**



**Input Type**

3 Wire RTD or DC mV	1
Thermocouple	2
DC mA	3
DC Voltage	4

**Output 1**

Relay Control	1
DC for SSR Control	2
DC 0-10V Control	3
DC 0-20mA Control	4
DC 0-5V SP Control	5
DC 4-20mA Control	7

**Output 2**

Not fitted	0
Relay Control or Alarm 2	1
DC for SSR Control or Alarm 2	2
DC 0-10V Control	3
DC 0-20mA Control	4
DC 0-5V Control	5
DC 4-20mA Control	7

**Advanced Options**

000	Not fitted
001	Real Time Clock (RTC)
010	Remote Programme Control
100	4 Event Outputs
011	Remote Prog Control/Real Time Clock
101	4Event Outputs Real/Time Clock
110	4 Event Outputs/Remote Prog Control
111	4 Event Outputs/Remote Prog/RTC

**Options & Power Supply**

00	No Options/100-240V AC supply
02	No Options/24-48V AC or DC supply
10	RS485 Comms/100-240V AC supply
12	RS485 Comms/24-48V AC or DC supply

**Output 3**

0	Not fitted
1	Relay Alarm 1
2	DC for SSR Alarm 1
3	DC 0-10V Re-Transmit PV or SP
4	DC 0-20mA Re-Transmit PV or SP
5	DC 0-5V Re-Transmit PV or SP
7	DC 4-20mA Re-Transmit PV or SP

In accordance with our policy of continuous improvement, we reserve the right to change specifications from those shown in this document.