

West P6010 ¹/₁₆ Din Panel Indicator



The P6010 has multi-point scaling, tare function and improved flexibility. It has a universal input and is available with a red or green display. Plug-in modules allow up to four alarm relays (latching or non-latching), PV retransmission or transmitter PSU.

- Jumperless Configuration
- Auto Detected Hardware
- Up to 4 Alarm Outputs
- Modbus & ASCII Comms
- Min/max Value Hold
- Tare (auto-zero) Function
- Multi-point Scaling
- PC configuration



Technical Data

Features

Output Configuration

Up to 4 total. Max 3 single/1 dual relay, max 1 retransmit of PV, max 1 transmitter power supply

Alarms

Up to 5. Process high low or logical OR (direct or reverse acting). With adjustable hysteresis

Viewable Values

Process variable, maximum value, minimum value and alarm 1 elapsed time since reset

Human Interface

3 button operation, 4 digit 10mm high red or green display, plus 3 alarm 1 max and 1 min indicator

PC Configuration

Off-line configuration from PC serial port to dedicated config socket (comms option not required). Configuration Software for Windows 98 or higher. West Part Number: PS1-CON

Input

Thermocouple

J, K, C, R, S, T, B, L, N & PtRh20%vsPtRh40%.

RTD

3 Wire PT100, 50Ω per lead maximum (balanced)

DC Linear

0 to 20mA, 4 to 20mA, 0 to 50mV, 10 to 50mV, 0 to 5V, 1 to 5V, 0 to 10V, 2 to 10V. Scaleable -1999 to 9999, with adjustable decimal point

Impedance

>10MΩ for Thermocouple and mV ranges, 47KΩ for V ranges and 5Ω for mA ranges

Accuracy

±0.1% of input range ±1 LSD (T/C CJC better than 1°C)

Sampling

4 per second, 14 bit resolution approximately

Sensor Break Detection

<2 seconds (except zero based DC ranges), high alarms activate for T/C, RTD and mV ranges, low alarms activate for mA or V ranges

Outputs & Options

Single Alarm Relays

Contacts SPDT 2 Amp resistive at 240V AC, >500,000 operations. Latching or non-latching

Dual Alarm Relay

Two x SPST contacts with shared common. 2 Amp resistive at 240V AC, >200,000 operations. Latching or non-latching

SSR Driver Outputs

Drive capability >10V DC in 500Ω minimum

Triac Outputs

0.01 to 1 Amp AC, 20 to 280Vrms, 47 to 63Hz

DC Linear Retransmit Outputs

0 to 20mA, 4 to 20mA into 500Ω max, 0 to 10V, 2 to 10V, 0 to 5V into 500Ω min. Accuracy ±0.25% at 250Ω (degrades linearly to 0.5% for increasing burden to specified limits)

Transmitter Power Supply

Output 24VDC (nominal) into 910Ω minimum to power external devices

Serial Communications

2 Wire RS485, 1200 to 19200 Baud, Modbus and ASCII protocol (selectable)

Digital Input

External reset of latched relay, stored alarm 1 elapsed time, stored min/max PV values or initiate tare function. Volt free or TTL input

Operating & Environmental

Temperature & RH

0 to 55°C (-20 to 80°C storage), 20% to 95% RH non-condensing

Power Supply

100 to 240V 50/60Hz 7.5VA (optional 20 to 48V AC 7.5VA/22 to 65V DC 5 watts)

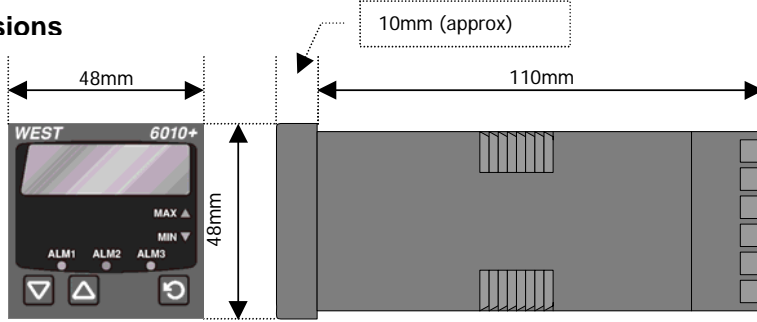
Front Panel Protection

IEC IP66 (Behind panel protection is IP20)

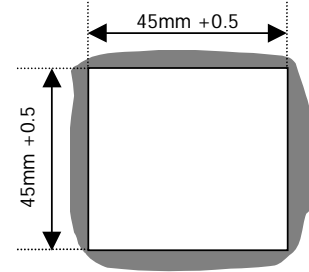
Standards

CE, UL & ULC recognised. Pollution Degree 2, Installation Category II

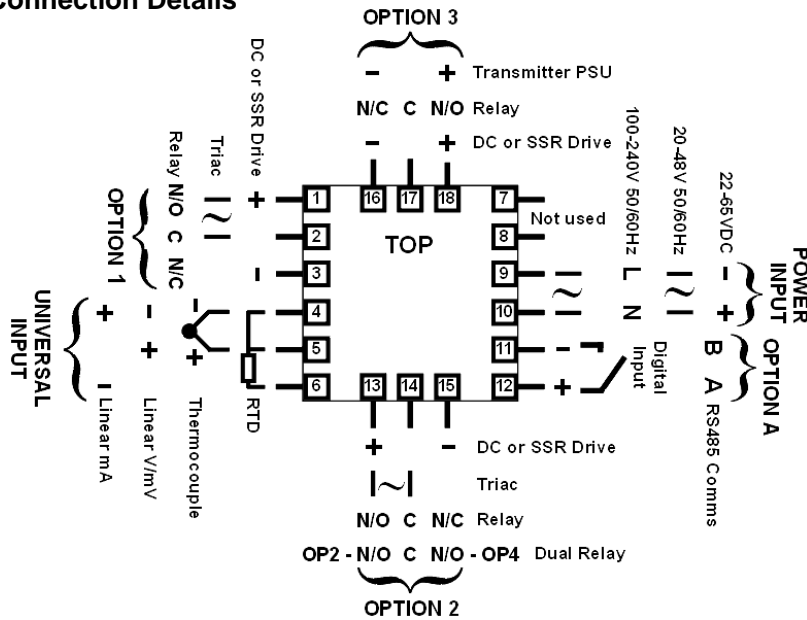
Dimensions



Cut out



Connection Details



Field Reconfiguration

- Input**
Jumper-free configuration for any type
(no extra parts required)
- Option Slot 1** **Part Number**
Relay Output **PO1-C10**
Linear mA/V DC Output **PO1-C21**
SSR Driver Output **PO1-C50**
Triac Output **PO1-C80**
- Option Slot 2** **Part Number**
Relay Output **PO2-C10**
Dual Relay Output **PO2-W09**
Linear mA/V DC Output **PO2-C21**
SSR Driver Output **PO2-C50**
Triac Output **PO2-C80**
- Option Slot 3** **Part Number**
Relay Output **PO2-C10**
Linear mA/V DC Output **PO2-C21**
SSR Driver Output **PO2-C50**
24VDC Transmitter PSU **PO2-W08**
- Option Slot A** **Part Number**
Digital Input **PA1-W03**
RS485 Comms **PA1-W06**

Order Code



Input Type

- 3 Wire RTD or DC mV 1
- Thermocouple 2
- DC mA 3
- DC Voltage 4

Option Slot 1

- Not fitted 0
- Relay 1
- DC for SSR 2
- DC 0-10V 3
- DC 0-20mA 4
- DC 0-5V 5
- DC 2-10V 6
- DC 4-20mA 7
- Triac 8

Option Slot 2

- Not fitted 0
- Relay 1
- DC Driver for SSR 2
- DC 0-10V 3
- DC 0-20mA 4
- DC 0-5V 5
- DC 2-10V 6
- DC 4-20mA 7
- Triac 8
- Dual Relay 9

Display Colour

- 0 Fixed Red
- 1 Fixed Green

Power Supply

- 0 100-240V AC
- 2 24-48V AC or DC

Option Slot A

- 0 Not fitted
- 1 RS485 Communications
- 3 Digital Input

Option Slot 3

- 0 Not fitted
- 1 Relay
- 2 DC Driver for SSR
- 3 DC 0-10V
- 4 DC 0-20mA
- 5 DC 0-5V
- 6 DC 2-10V
- 7 DC 4-20mA
- 8 Transmitter Power Supply